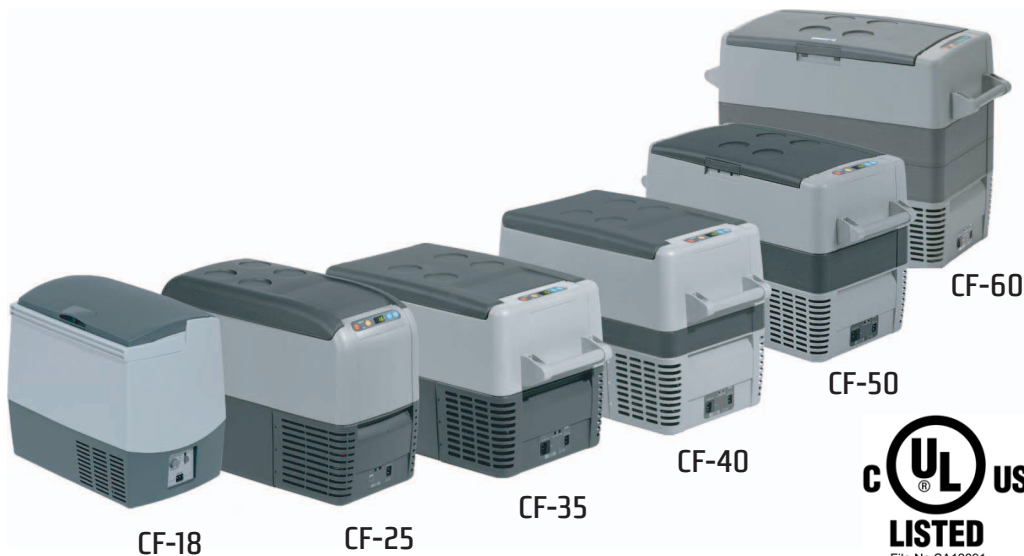


 **Dometic**



Dometic CoolFreeze

CF-18, CF-25, CF-35, CF-40, CF-50, CF-60

EN	7	Compressor Cooler Instruction Manual
FR	26	Glacière à compression Manuel d'utilisation
ES	48	Nevera por compresor Instrucciones de uso

Form No.54-AA-MAD65A 02/10
Dometic Corporation
LaGrange IN 46761

GB

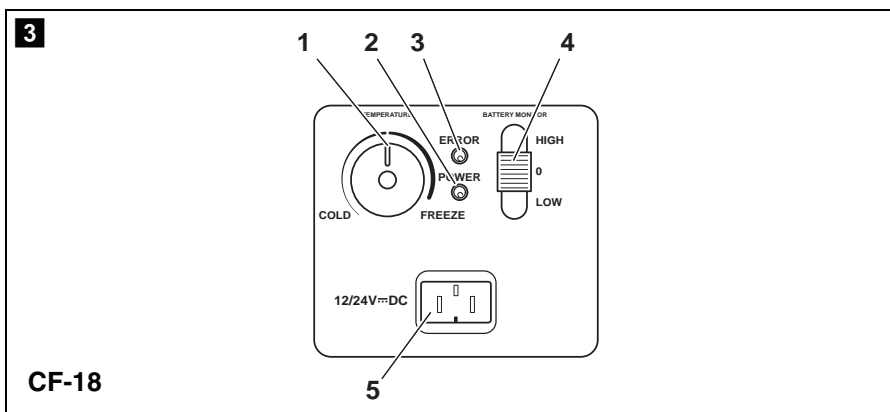
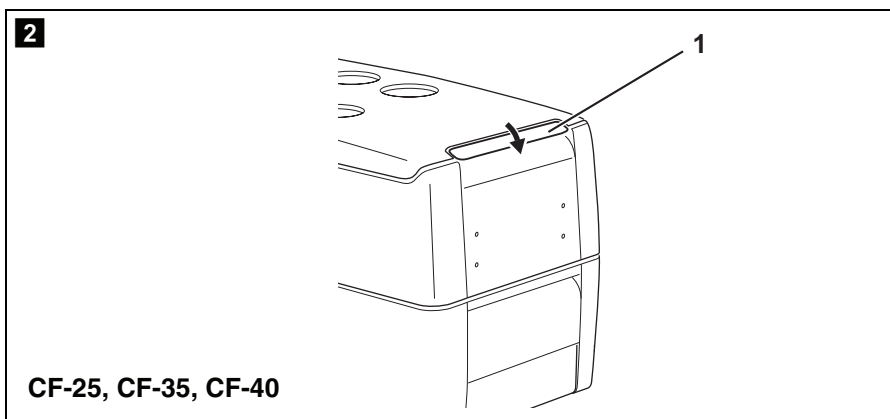
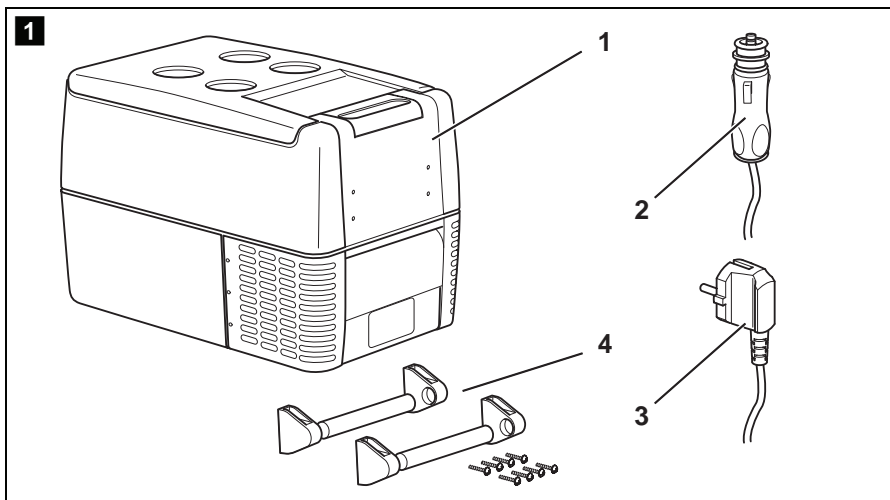
We will be happy to provide you with further information about Dometic WAECO products. Please order our free catalogue with no obligation to buy on our homepage: www.dometic-waeco.com

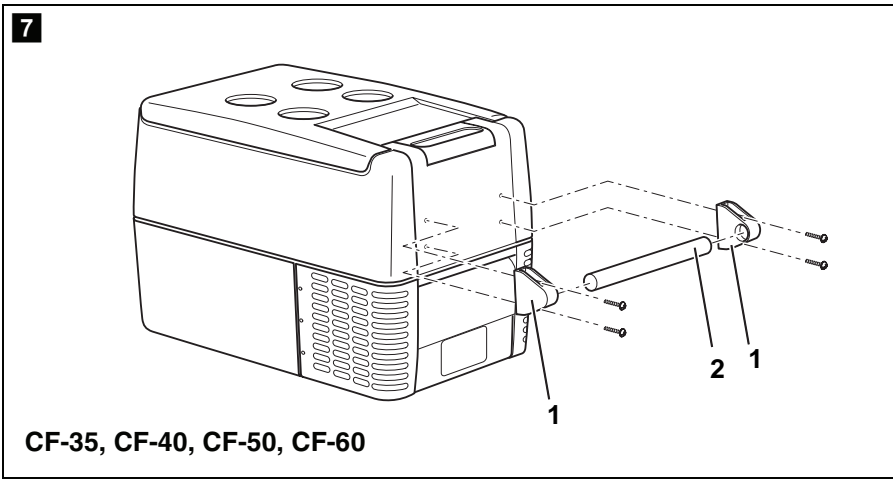
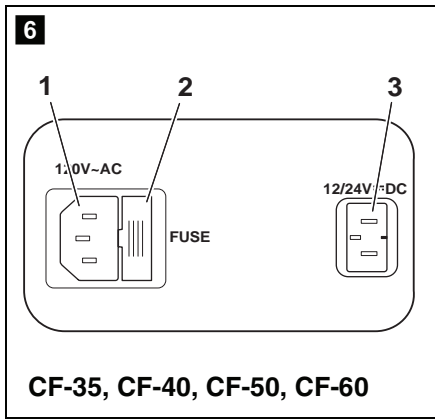
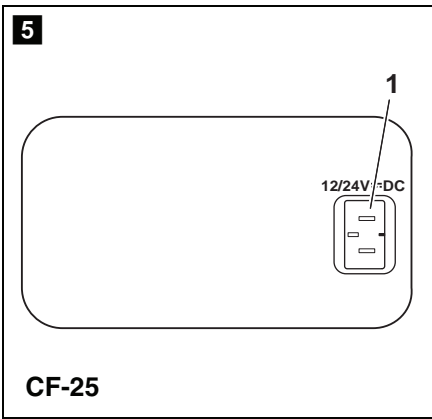
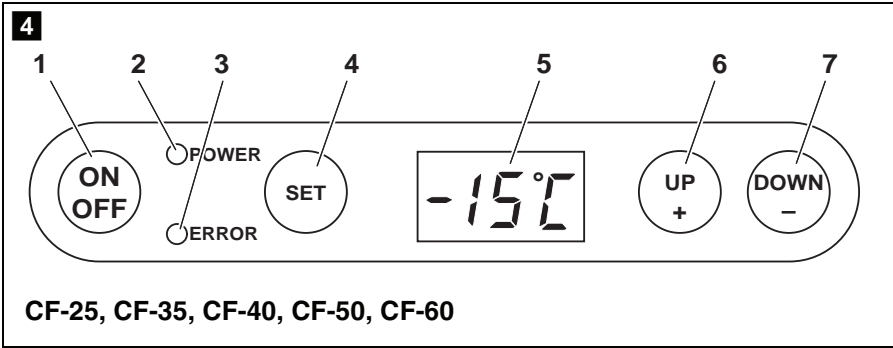
F

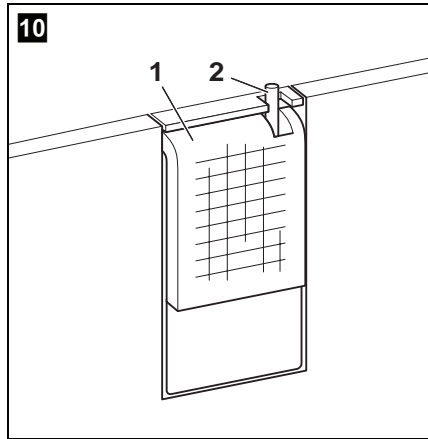
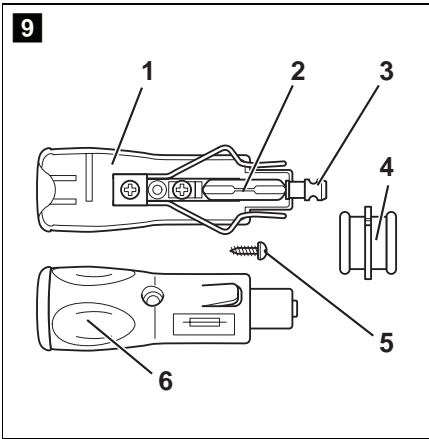
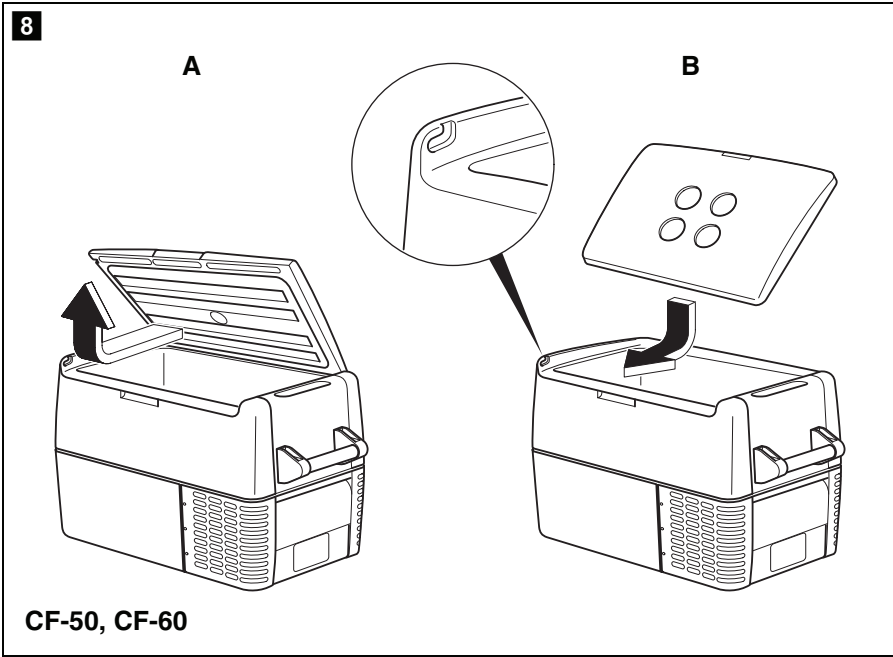
Demandez d'autres informations relatives à la large gamme de produits de la maison Dometic WAECO. Commandez tout simplement notre catalogue gratuitement et sans engagement à l'adresse internet suivante : www.dometic-waeco.com

E

Solicite más información sobre la amplia gama de productos de la empresa Dometic WAECO. Solicite simplemente nuestros catálogos de forma gratuita y sin compromiso en la dirección de Internet: www.dometic-waeco.com







Dometic CoolFreeze

Please read this operating manual carefully before starting the device. Keep it in a safe place for future reference. If the device is handed over to another person, this operating manual must be handed over along with the device.

Contents

1	Notes on using the manual	7
2	Safety instructions	7
2.1	General safety	8
2.2	Operating the device safely	9
3	Scope of delivery	10
4	Intended use	10
5	Function description	11
5.1	Operating and display elements	12
5.2	Accessories	14
6	Operation	14
6.1	Before initial use	14
6.2	Energy saving tips	15
6.3	Connecting the cooler	16
6.4	Using the battery monitor	17
6.5	Using the cooler	18
6.6	Setting the temperature	19
6.7	Switching off the cooler	20
6.8	Defrosting the cooler	20
6.9	Replacing the device fuse	21
6.10	Replacing the plug fuse (12/24 V)	21
6.11	Replacing the light bulb	22
7	Cleaning and maintenance	22
8	Guarantee	23
9	Troubleshooting	23
10	Disposal	24
11	Technical data	24

1 Notes on using the manual

The following symbols are used in this operating manual:



Caution!

Safety instruction: Failure to observe this instruction can cause personal injury or damage the device.



Caution!

Safety instruction relating to a danger from an electrical current or voltage. Failure to observe this instruction can cause injury or damage the device and impair its function.



Note

Supplementary information for operating the device.

► **Action:** This symbol indicates that action is required on your part. The required action is described step-by-step.

✓ This symbol indicates the result of an action.

Fig. 2 1, page 3: This refers to an element in an illustration. In this case, item 1 in figure 2 on page 3.

Please observe the following safety instructions.

2 Safety instructions



● **Caution!**

DOMETIC International will not be held liable for claims for damage resulting from the following:

- Damage to the device resulting from mechanical influences and overvoltage
- Alterations to the device made without the explicit permission of DOMETIC International
- Use for purposes other than those described in the operating manual

2.1 General safety



- **Caution – Danger of electrocution!**
When using the device on boats: If the device is powered by the mains, ensure that the power supply is protected with a ground fault interrupter circuit.
- Check that the voltage specification on the type plate corresponds to that of the energy supply.
- Only connect the device as follows:
 - With the cable supplied (Fig. **1** 2, page 3) to the cigarette lighter in the vehicle or to a 12/24 V plug socket in the vehicle
 - or with the enclosed connection cable (Fig. **1** 3, page 3) to the 120 V AC mains (only **CF-35, CF-40, CF-50, CF-60**).
- If the connection cable is damaged, it must be replaced by a special cord or assembly available from the manufacturer or service agent.
- Do not pull the plug out of the cigarette lighter or the socket by the cable.
- Pull out the connection cable:
 - Before cleaning and maintenance
 - After use
 - Before changing a fuse
- Disconnect the cooling device and other power consuming devices from the battery before you connect the battery to a quick charging device. Overvoltage can damage the electronics of the device.



- **Electronic devices are not toys!**
Always keep and use the device out of the reach of children.
- Do not operate the device if it is visibly damaged.
- This device may only be repaired by qualified personnel. Inadequate repairs can lead to considerable hazards.
Should your device need to be repaired, please contact DOMETIC customer service.
- Do not open the refrigerant circuit under any circumstances!
- The cooler is not suitable for transporting caustic materials or materials containing solvents.
- Food may only be stored in its original packaging or in suitable containers.

2.2 Operating the device safely



- **Caution – Danger of electrocution!**
Do not touch exposed cables with your bare hands. This especially applies when operating the device from an AC mains.
- Before starting the device, ensure that the power supply line and the plug are dry.



- Do not place any electrical devices inside the cooler.
- Set up the device in a dry location where it is protected against splashing water.
- Protect the device and the cable against rain and moisture.
- Do not place the device near naked flames or other heat sources (heaters, direct sunlight, gas ovens etc.)
- **Caution! Danger of overheating!**
Ensure at all times that there is sufficient ventilation so that the heat generated during normal operation is able to dissipate. Ensure that the ventilation slots are not covered. Make sure that the device is sufficiently far away from walls and other objects so that the air can circulate.
- Never immerse the device in water.
- Do not fill the inner container with ice or fluid.

3 Scope of delivery

Fig. **1**, page 3, shows the scope of delivery.

Item	Quantity	Description
1	1	Cooler
2	1	Connection cable for 12/24 V _{DC} connection Only CF-35, CF-40, CF-50, CF-60
3	1	Connection cable for 120 V _{AC} connection Only CF-35, CF-40, CF-50, CF-60
4	2	Carrying handle, consisting of: <ul style="list-style-type: none"> – 2 holders – 1 handle – 4 fastening screws
–	1	Operating manual

4 Intended use



The cooler is suitable for cooling and freezing foods. The device is also suitable for use on boats.



The device is designed to be operated from a 12 V_{DC} or 24 V_{DC} on-board supply socket of a vehicle (e. g. cigarette lighter), boat or caravan as well as from a 120 V_{AC} mains (for **CF-18** and **CF-25** only with the accessory to 100–240V_{AC}).



Caution – When cooling perishable medicines!

If you wish to cool medicines, please check if the cooling capacity of the device is adequate for this purpose.

5 Function description

The cooler can chill products, keep them cool as well as freeze them. A maintenance-free, CFC-free refrigerant circuit with compressor provides the cooling. The extra strong CFC-free insulation and powerful compressor ensure especially fast cooling.

The cooler is designed for mobile use and can be carried by using a folding carrying bracket (**CF-18**), two recessed grips (**CF-25**) or two removable carrying handles (**CF-35, CF-40, CF-50, CF-60**).

When used on boats, the cooler can withstand a constant heel (inclination) of 30°.

Scope of functions:

	CF-18	CF-25	CF-35, CF-40, CF-50, CF-60
Power supply with priority circuit for connecting to the AC mains	-	-	•
Battery monitor for protecting the vehicle battery	2-level	3-level	
Turbo mode for rapid cooling	-	•	•
Display with temperature gauge	-	•	•
Temperature setting	With rotary-control	With two buttons in steps of 1 °C (2 °F)	
Removable carrying handles	-	-	•

5.1 Operating and display elements

CF-25, CF-35, CF-40

Lock for lid: Fig. **2** 1, page 3

CF-18

Operating panel and connection socket (Fig. **3**, page 3):

Item	Description	Explanation
1	TEMPERATURE	Temperature controller, cooling temperature at the end positions: COLD: +10 °C (+50 °F) FREEZE: -18 °C (0 °F)
2	POWER	Operating display LED is lit green: Device is switched on and ready for operation LED is lit yellow: Set temperature has been reached
3	ERROR	LED flashes red: Switched on device is not ready for operation
4	BATTERY MONITOR	Switch-on device/battery monitor: 0: Device is switched off HIGH: Device is switched on, battery monitor is in HIGH mode LOW: Device is switched on, battery monitor is in LOW mode
5	12/24V DC	Connection socket DC voltage supply

CF-25, CF-35, CF-40, CF-50, CF-60Operating panel (Fig. **4**, page 4)

Item	Description	Explanation
1	ON OFF	Switches the cooler on or off when the button is pressed for between one and two seconds
2	POWER	Status indication LED lights up green: Compressor is on LED lights up orange: Compressor is off LED flashes orange: display switched off automatically due to low battery voltage
3	ERROR	LED flashes red: Device is switched on but not ready for operation
4	SET	Selects the input mode – Temperature setting – Celsius or Fahrenheit display – Set battery monitor
5	–	Display, shows the information
6	UP +	Press once to increase the value
7	DOWN –	Press once to decrease the value

CF-25Connection sockets (Fig. **5**, page 4):**Item Description**

- 1 Connection socket DC voltage supply

CF-35, CF-40, CF-50, CF-60Connection sockets (Fig. **6**, page 4):**Item Description**

- 1 Connection socket AC voltage supply
- 2 Fuse holder
- 3 Connection socket DC voltage supply

5.2 Accessories

If you want to operate the coolers **CF-18** and **CF-25** from the 100-240V AC mains, be sure to use the rectifier purchased from DOMETIC.

6 Operation

6.1 Before initial use



Note

Before starting your new cooler for the first time, you should clean it inside and outside with a damp cloth for hygienic reasons (please also refer to the chapter “Cleaning and maintenance” on page 22).

Mounting the handles

CF-35, CF-40, CF-50, CF-60

The handles are enclosed unassembled. If you wish to attach the handles, proceed as follows:

- Make a handle by putting two holders (Fig. **7** 1, page 4) and a handle (Fig. **7** 2, page 4) together.
- Fasten the grip with the enclosed screws in the holes provided.

Turning the lid stop around

CF-50, CF-60

You can turn the lid stop around if you want to open the lid from the other side.

To do this, proceed as follows:

- Open the lid and pull it out (Fig. **8** A, page 5).
- Turn the lid.
- Insert the lid in the lid holders on the side opposite the cooler (Fig. **8** B, page 5).

Selecting the temperature units

CF-25, CF-35, CF-40, CF-50, CF-60

You can switch the temperature display between Celsius and Fahrenheit. This is how to do it:

- Switch on the cooler.
- Press the “SET” button (Fig. **4** 4, page 4) twice.
- Use the “UP +” (Fig. **4** 6, page 4) and “DOWN -” (Fig. **4** 7, page 4) buttons to select Celsius or Fahrenheit.
- ✓ The selected temperature units then appear in the display for a few seconds. The display flashes several times before it returns to the current temperature.

6.2 Energy saving tips

- Choose a well ventilated installation location which is protected from direct sunlight.
- Allow hot food to cool down first before you place it into the device.
- Do not open the cooler more often than necessary.
- Do not leave the lid open for longer than necessary.
- Defrost the cooler once a layer of ice forms.
- Avoid unnecessary low temperatures.

6.3 Connecting the cooler

Connecting to a battery (Vehicle or boat)

The cooler can be operated with 12 V or 24 V DC.



Caution – Danger of damaging the device!

Disconnect the cooler and other consumer units from the battery before you connect the battery to a quick charging device. Overvoltage can damage the electronics of the device.

For safety reasons the cooler is equipped with an electronic system to prevent the polarity reversal. This protects the cooler against short-circuiting when connecting to a battery.

- ▶ Plug the 12/24-V connection cable (Fig. **1** 2, page 3) into the DC voltage socket and also into the cigarette lighter or a 12 V or 24 V socket.

Connecting to a 120 V AC mains (E.g. in the home or office)



Caution – Danger of electrocution!

Never handle plugs and switches with wet hands or if you are standing on a wet surface.



Caution – Danger of electrocution!

If you are operating your cooler on board a boat from a mains connection of 120 V AC, you must install a residual current circuit breaker between the 120 V AC mains and the cooler. Seek advice from a trained technician.

CF-35, CF-40, CF-50, CF-60

The coolers **CF-35, CF-40, CF-50, CF-60** have an integrated multi-voltage power supply with priority circuit for connecting to an AC voltage source of 120 V. The priority circuit automatically switches the cooler to mains operation, if the device is connected to a 120 V AC mains, even if the 12/24 V connection cable is still attached.

When switching between the AC mains and the battery supply, the red LED may light up briefly.

- ▶ Plug the 120 V connection cable (Fig. **1** 3, page 3) into the AC voltage socket and connect it to the 120 V AC voltage mains (only **CF-35, CF-40, CF-50, CF-60**).

CF-18, CF-25

To operate the coolers **CF-18** and **CF-25** from the 100–240 V AC mains, use the rectifier purchased from DOMETIC.

6.4 Using the battery monitor



The device is equipped with a multi-level battery monitor that protects your vehicle battery against excessive discharging when the device is connected to the on-board 12/24 V supply.

If the cooler is operated when the vehicle ignition is switched off, the cooler switches off automatically as soon as the supply voltage falls below a set level. The cooler will switch back on once the battery has been recharged to the restart voltage level.



Caution – Danger of damage!

When switched off by the battery monitor, the battery will no longer be fully charged. Avoid starting repeatedly or operating current consumers without longer charging phases. Ensure that the battery is recharged.

In “HIGH” mode, the battery monitor responds faster than at the levels “LOW” and “MED” (see the following table).

Battery monitor mode	CF-18		CF-25, CF-35, CF-40, CF-50, CF-60		
	LOW	HIGH	LOW	MED	HIGH
Switch-off voltage at 12 V	10.4 V	11.5 V	10.1 V	11.4 V	11.8 V
Restart voltage at 12 V	11.5 V	12.5 V	11.1 V	12.2 V	12.6 V
Switch-off voltage at 24 V	22.1 V	24.0 V	21.5 V	24.1 V	24.6 V
Restart voltage at 24 V	23.6 V	25.4 V	23.0 V	25.3 V	26.2 V

This is how to select the battery monitor mode:

CF-25, CF-35, CF-40, CF-50, CF-60

- ▶ Switch on the cooler.
- ▶ Press the “SET” button (Fig. **4** 4, page 4) three times.
- ▶ Use the “UP +” (Fig. **4** 6, page 4) and “DOWN -” (Fig. **4** 7, page 4) buttons to select the battery monitor mode.
- ✓ The selected mode then appears in the display for a few seconds. The display flashes several times before it returns to the current temperature.



Note

When the cooler is supplied by the starter battery, select the battery monitor mode “HIGH”. If the cooler is connected to a supply battery, the battery monitor mode “LOW” will suffice.
If you wish to operate the cooler from the AC mains, set the battery monitor to the “LOW” position.

6.5 Using the cooler



Caution – Danger of overheating!

Ensure at all times that there is sufficient ventilation so that the heat that generated during operation can dissipate. Ensure that the ventilation slots are not covered. Make sure that the device is sufficiently far away from walls and other objects so that the air can circulate. There should be a clearance of ~150mm from the fridge handle.

- ▶ Place the cooler on a firm foundation.
Make sure that the ventilation slots are not covered and that the heated air can dissipate.



Note

Place the cooler as shown (Fig. **1**, page 3). If you operate the box in a different position it can be damaged.

- ▶ Close the cooler, see “Connecting the cooler” on page 16.



Note

If you wish to operate the cooler from the AC mains, set the battery monitor to the “LOW” position.



Caution – Danger from excessively low temperature!

Ensure that the only those objects are placed in the cooler that are intended to be cooled at the selected temperature.

CF-18

- ▶ **CF-18:** Slide the sliding switch (Fig. **3** 4, page 3) to HIGH if you wish to operate from a starter battery or to “LOW” if you want to operate from a supply battery.
- ✓ The “POWER” LED is lit green.
- ✓ The cooler starts cooling the interior.
- ✓ When the cooling temperature has been reached, the “POWER” LED is yellow lit.

CF-25, CF-35, CF-40, CF-50, CF-60

- ▶ Press the “ON/OFF” button (Fig. **4** 1, page 4) for between one and two seconds.
- ✓ The “POWER” LED lights up.
- ✓ The display (Fig. **4** 5, page 4) switches on and shows the current cooling temperature.



Note

The temperature displayed is that of the middle of the interior. The temperatures elsewhere can deviate from this temperature.

- ✓ The cooler starts cooling the interior.

Locking the cooler

- ▶ Close the lid.
- ▶ Press the lock (Fig. **2** 1, page 3) down, until it latches in place audibly.

6.6 Setting the temperature

CF-18

- ▶ Set the cooling temperature with the temperature controller (Fig. **3** 1, page 3).

CF-25, CF-35, CF-40, CF-50, CF-60

- Press the “SET” button (Fig. 4 4, page 4) once.
- Use the “UP +” (Fig. 4 6, page 4) and “DOWN -” (Fig. 4 7, page 4) buttons to select the cooling temperature.
- ✓ The cooling temperature appears in the display for a few seconds. The display flashes several times and then the current temperature is displayed again.

6.7 Switching off the cooler

- Empty the cooler.
- Switch the cooler off.
- Pull out the connection cable.

If you do not want to use the cooler for a longer period of time:

- Leave the cover slightly open. This prevents odour build-up.

6.8 Defrosting the cooler

Humidity can form frost in the interior of the cooling device or on the vaporiser. This reduces the cooling capacity. Defrost the device in good time to avoid this.



Caution – Danger of damaging the device!

Never use hard or pointed tools to remove ice or to loosen objects which have frozen in place.

To defrost the cooler, proceed as follows:

- Take out the contents of the cooling device.
- If necessary, place them in another cooling device to keep them cool.
- Switch off the device.
- Leave the cover open.
- Wipe off the defrosted water.

6.9 Replacing the device fuse

Only CF-35, CF-40, CF-50, CF-60



Caution – Danger of electrocution!

Disconnect the connection cable before you replace the device fuse.

- Pull off the connection cable.
- Pry out the fuse insert (Fig. **6** 2, page 4) with a screwdriver.
- Replace the defective fuse with a new one that has the same rating (4A 250V).
- Press the fuse insert back into the housing.

6.10 Replacing the plug fuse (12/24 V)

- Pull the adapter sleeve (Fig. **9** 4, page 5) off of the plug.
- Unscrew the screw (Fig. **9** 5, page 5) out of the upper half of the housing (Fig. **9** 1, page 5).
- Carefully raise the upper half of the housing from the lower (Fig. **9** 6, page 5) half.
- Take out the contact pin (Fig. **9** 3, page 5).
- Replace the defective fuse (Fig. **9** 2, page 5) with a new one that has the same rating (8A 32V).
- Re-assemble the plug in the reverse order.

6.11 Replacing the light bulb

Only CF-25, CF-35, CF-40, CF-50, CF-60

- Press the switch pin (Fig. **10** 2, page 5) downwards so that the transparent part (Fig. **10** 1, page 5) of the lamp can be removed at the front.
- Replace the light bulb.



Note

Make sure that the polarity is correct. The side of the light bulb marked with a plus must be placed at the contact which is connected to the red cable.



Note

The LEDs in the light bulb must be aligned with the transparent part of the lamp.

- Press the transparent part of the lamp back into the housing.

7 Cleaning and maintenance



Caution – Danger of electrocution!

Always pull out the mains plug before you clean and service the device.



Caution – Danger of damaging the device!

Never clean the device under running water or in dish water. Do not use abrasive cleaning agents or hard objects during cleaning as these can damage the device. Never use brushes, scouring pads or hard or pointed tools to remove ice or to loosen objects which have frozen in place.

- Occasionally clean the inside of the device with a damp cloth.

8 Guarantee

Our general guarantee conditions apply. If the product is defective, please send it back to the DOMETIC branch in your country (addresses on the back of the operating manual) or to your dealer. For repair and guarantee processing, please include the following documents when you send in the device:

- A copy of the receipt with purchasing date
- Reason for the claim or a description of the fault

9 Troubleshooting

Fault	Possible cause	Suggested remedy
Device does not function, LED does not glow.	There is no voltage present in the 12/24 V socket (cigarette lighter) in your vehicle.	The ignition must be switched on in most vehicles to apply current to the cigarette lighter.
	No voltage present in the AC voltage socket.	Try using another plug socket.
	The device fuse is defective.	Replace the device fuse, see "Replacing the device fuse" on page 21.
	The integrated mains adapter is defective.	This can only be repaired by an authorised repair centre.
The device does not cool (plug is inserted, "POWER" LED is lit).	Defective compressor.	This can only be repaired by an authorised customer services unit.
The device does not cool (plug is inserted, "ERROR" LED flashes).	Battery voltage is too low.	Test the battery and charge it as needed.
When operating from the 12/24-V socket (cigarette lighter): The ignition is on and the device is not working and the LED is not lit.	The cigarette lighter socket is dirty. This results in a poor electrical contact.	If the plug of your cooler becomes very warm in the cigarette lighter socket, either the lighter socket must be cleaned or the plug has not been assembled correctly.
	The fuse of the 12/24 V plug has blown.	Replace the fuse (8 A) in the cigarette lighter plug, see "Replacing the plug fuse (12/24 V)" on page 21.
Pull the plug out of the socket and make the following checks.	The vehicle fuse has blown.	Replace the vehicle's 12/24 V socket fuse (usually 15 A). Please refer to your vehicle's operating manual.
The display shows an error message (e.g. "Err1") and the appliance does not cool.	The appliance has switched off due to an internal fault.	This can only be repaired by an authorised repair centre.

10 Disposal

- Place the packaging material in the appropriate recycling waste bins wherever possible.



If you wish to finally dispose of the device, ask your local recycling centre or specialist dealer for details about how to do this in accordance with the applicable disposal regulations.

11 Technical data

	CF-18	CF-25	CF-35
Overall capacity:	18 litres	23 litres	31 litres
Connection voltage:	12/24 V _{DC}		12/24 V _{DC} and 120V _{AC}
Rated current:			
– 12 V _{DC} :	3.1 A	6.8 A	6.0 A
– 24 V _{DC} :	1.9 A	3.0 A	3.0 A
– 120 V _{AC} :	–	–	1.3 to 0.7 A
Cooling capacity:	+10 °C to –18 °C (+50 °F to 0 °F)		
Dimensions (WxHxD) in mm:	465x414x300	550x425x260	580x385x360
Weight:	11.5 kg	12 kg	15 kg
	CF-40	CF-50	CF-60
Overall capacity:	37 litres	49 litres	59 litres
Connection voltage:	12/24 V _{DC} and 120 V _{AC}		
Rated current:			
– 12 V _{DC} :	6.0 A	7.0 A	7.0 A
– 24 V _{DC} :	3.0 A	3.0 A	3.0 A
– 120 V _{AC} :	1.3 to 0.7 A	1.3 to 0.7 A	1.3 to 0.7 A
Cooling capacity:	+10 °C to –18 °C (+50 °F to 0 °F)		
Dimensions (WxHxD) in mm:	580x445x360	630x480x360	630x582x360
Weight:	16 kg	18 kg	21.6 kg



Note

If the ambient temperature is above +32°C (+90 °F), the minimum temperature cannot be attained.

Technical data

 **Dometic CoolFreeze**

Test/certificates:



– 73/23/EEC – Low Voltage Electrical Equipment Directive

– 89/336/EEC – EMC Directive

– 95/54/EEC




Versions, technical modifications and delivery options reserved.
This device is CFC-free. The coolant circuit contains R134a.

Dometic CoolFreeze

Veillez lire ce manuel avec attention avant la mise en service puis conservez-le. En cas de revente de l'appareil, veuillez le transmettre au nouvel acquéreur.

Table des matières

1	Remarques concernant l'utilisation de ce manuel	27
2	Consignes de sécurité	27
2.1	Sécurité générale	28
2.2	Consignes de sécurité concernant l'utilisation de l'appareil	29
3	Contenu de la livraison	30
4	Usage conforme	30
5	Description du fonctionnement	31
5.1	Commandes et affichage	32
5.2	Accessoires	34
6	Utilisation	34
6.1	Avant la première utilisation	34
6.2	Conseils pour économiser de l'énergie	35
6.3	Raccordement de la glacière	36
6.4	Utilisation du protecteur de batterie	37
6.5	Utilisation de la glacière	39
6.6	Réglage de la température	40
6.7	Mise hors-service de la glacière	41
6.8	Dégivrage de la glacière	41
6.9	Remplacement du fusible de l'appareil	42
6.10	Remplacement du fusible du connecteur (12/24 V)	42
6.11	Changer les éléments luminesux	43
7	Nettoyage et entretien	43
8	Garantie	44
9	Dépannage	44
10	Retraitement	45
11	Caractéristiques techniques	46

Remarques concernant l'utilisation de ce manuel  **Dometic CoolFreeze**

1 Remarques concernant l'utilisation de ce manuel

Les symboles suivants sont utilisés dans ce manuel :



Attention !

Consigne de sécurité : le non-respect de ces consignes peut causer des dommages matériels ou compromettre la sécurité des personnes.



Attention !

Consigne de sécurité indiquant un danger lié à un courant électrique ou à une tension électrique : le non-respect de ces consignes peut causer des dommages matériels ou compromettre la sécurité des personnes, et nuire au fonctionnement de l'appareil.



Remarque

Informations complémentaires sur l'utilisation de l'appareil.

- ▶ **Manipulation** : ce symbole vous indique une action à effectuer. Les manipulations à effectuer sont décrites étape par étape.
- ✓ Ce symbole décrit le résultat d'une manipulation.

Fig. 2 1, page 3 : cette donnée vous indique un élément dans une illustration, dans cet exemple la « position 1 de la figure 2 à la page 3 ».

Respectez également les consignes de sécurité suivantes.

2 Consignes de sécurité



● Attention !

DOMETIC International décline toute responsabilité en cas de dommages causés par :

- des influences mécaniques et des surtensions ayant endommagé le matériel,
- des modifications apportées à l'appareil sans autorisation explicite de la part de DOMETIC International,
- une utilisation différente de celle décrite dans le manuel.

2.1 Sécurité générale



- **Attention – Danger de mort par électrocution !**
En cas d'utilisation sur des bateaux : veillez à ce que votre alimentation électrique soit sécurisée par un disjoncteur différentiel si l'appareil est branché sur secteur !
- Comparez la tension indiquée sur la plaque signalétique avec l'alimentation électrique dont vous disposez.
- Branchez l'appareil uniquement comme indiqué ci-dessous :
 - avec le câble de raccordement fourni (fig. **1** 2, page 3) sur l'allume-cigares ou la prise 12/24 V du véhicule
 - ou avec le câble de raccordement fourni (fig. **1** 3, page 3) sur secteur à courant alternatif 120 V (uniquement pour **CF-35, CF-40, CF-50, CF-60**).
- Si le câble de raccordement est endommagé, il doit être remplacé par un câble spécial que vous pouvez commander chez le fabricant ou un représentant du service après-vente.
- Ne débranchez jamais l'appareil de l'allume-cigares ou de la prise en tirant directement sur le câble de raccordement.
- Débranchez le câble de raccordement
 - avant tout nettoyage et entretien
 - après chaque utilisation
 - avant un changement de fusible
- Débranchez l'appareil et les autres consommateurs d'énergie de la batterie avant de recharger la batterie avec un chargeur rapide. Les surtensions peuvent endommager l'électronique des appareils.



- **Les appareils électriques ne sont pas des jouets pour enfants !**
Placez et utilisez l'appareil hors de la portée des enfants.
- Si l'appareil présente des dégâts visibles, il est interdit de le mettre en service.
- Seul un personnel qualifié est habilité à effectuer des réparations sur l'appareil. Toute réparation mal effectuée risque d'entraîner de sérieux dangers.
Pour toute réparation, adressez-vous au service après-vente DOMETIC.
- Ne jamais ouvrir le circuit de refroidissement !

- Ne pas utiliser la glacière pour le transport de produits corrosifs ou de solvants !
- Les produits alimentaires doivent être conservés dans leurs emballages originaux ou dans des récipients appropriés.

2.2 Consignes de sécurité concernant l'utilisation de l'appareil



- **Attention – Danger de mort par électrocution !**
Ne touchez jamais de lignes électriques dénudées à mains nues. Cela est surtout valable en cas de fonctionnement sur secteur.
- Avant de mettre l'appareil en service, assurez-vous que la ligne d'alimentation électrique et la fiche sont sèches.



- Il est interdit d'utiliser un appareil électrique à l'intérieur de la glacière.
- Installez l'appareil dans un endroit sec et à l'abri des éclaboussures d'eau.
- Tenez l'appareil et les câbles à l'abri de la pluie et de l'humidité.
- Ne placez pas l'appareil près de flammes ou d'autres sources de chaleur (chauffage, rayons solaires, fours à gaz, etc.).
- **Attention, danger de surchauffe !**
Veillez toujours à ce que la chaleur produite lors du fonctionnement soit suffisamment dissipée. Assurez-vous que les fentes d'aération ne sont pas recouvertes. Veillez à ce que l'appareil se trouve à distance suffisante des murs ou des objets, de sorte que l'air puisse circuler.
- Ne plongez jamais l'appareil dans l'eau.
- Ne remplissez pas le bac intérieur de substances liquides ou de glace.

3 Contenu de la livraison

La fig. **1**, page 3, indique les pièces comprises dans la livraison.

N°	Quantité	Désignation
1	1	Glacière
2	1	Câble de raccordement pour prise 12/24 V _{CC} Uniquement pour CF-35, CF-40, CF-50, CF-60
3	1	Câble de raccordement pour prise 120 V _{CA} Uniquement pour CF-35, CF-40, CF-50, CF-60
4	2	Poignée de transport, composée de : – 2 fixations – 1 corps de poignée – 4 vis de fixation
–	1	Manuel d'utilisation

4 Usage conforme



La glacière est conçue pour la réfrigération et la congélation de produits alimentaires. L'appareil peut également être utilisé sur des bateaux.



L'appareil peut être branché sur la prise d'alimentation 12 V_{CC} ou 24 V_{CC} d'un véhicule (par ex. un allume-cigare), d'un bateau ou d'un camping-car, ou être raccordé à un réseau à tension alternative de 120 V_{CA} (pour **CF-18** et **CF-25**, l'accessoire pour 100–240V_{CA} est nécessaire).



Attention – Prenez garde aux médicaments périssables !

Si vous souhaitez conserver au frais des médicaments, nous vous prions de vérifier si la puissance frigorifique de l'appareil correspond à la température de conservation recommandée pour les médicaments concernés.

5 Description du fonctionnement

La glacière permet de réfrigérer, de tenir au frais ou de congeler des produits. La réfrigération est assurée par un circuit de refroidissement à compresseur qui fonctionne sans CFC et ne nécessite aucune maintenance. Sa puissante isolation sans CFC et son compresseur performant garantissent un refroidissement particulièrement rapide.

La glacière est particulièrement adaptée à une utilisation mobile, et peut être transportée à l'aide d'une poignée repliable (**CF-18**), deux poignées encastrées (**CF-25**) ou deux poignées (dé)montables (**CF-35, CF-40, CF-50, CF-60**).

En cas d'utilisation sur bateaux, la glacière peut supporter un angle de gîte permanent de 30°.

Fonctions de l'appareil :

	CF-18	CF-25	CF-35, CF-40, CF-50, CF-60
Bloc d'alimentation avec raccordement prioritaire pour branchement sur une tension alternative	–	–	•
Protecteur de batterie pour protéger la batterie du véhicule	2 niveaux	3 niveaux	
Mode turbo pour un refroidissement plus rapide	–	•	•
Ecran avec affichage de la température	–	•	•
Réglage de la température	par bouton rotatif	avec deux touches, par pas de 1 °C (2 °F)	
Poignées de transport montables	–	–	•

5.1 Commandes et affichage

CF-25, CF-35, CF-40

Verrouillage du couvercle : fig. **2** 1, page 3

CF-18

Panneau de commande et prise de raccordement
(fig. **3**, page 3) :

N°	Désignation	Signification
1	TEMPERATURE	Régulateur de température, température de refroidissement minimale et maximale : COLD : +10 °C (+50 °F) FREEZE : -18 °C (0 °F)
2	POWER	Témoin lumineux de fonctionnement La DEL s'allume en vert : l'appareil est allumé et prêt à fonctionner La DEL s'allume en jaune : la température réglée est atteinte
3	ERROR	La DEL clignote en rouge : l'appareil est allumé mais n'est pas prêt à fonctionner
4	BATTERY MONITOR	Commutateur / protecteur de batterie : 0 : l'appareil est éteint HIGH : l'appareil est allumé, le protecteur de batterie est en mode HIGH LOW : l'appareil est allumé, le protecteur de batterie est en mode LOW
5	12/24V DC	Prise de raccordement de l'alimentation en tension continue

CF-25, CF-35, CF-40, CF-50, CF-60Panneau de commande (fig. **4**, page 4)

Pos.	Désignation	Signification
1	ON OFF	Permet d'allumer ou d'éteindre la glacière sur une pression d'une à deux seconde sur la touche
2	POWER	Témoin lumineux de fonctionnement La DEL s'allume en vert : le compresseur est en marche La DEL s'allume en orange : le compresseur est arrêté La DEL clignote en orange : l'écran a été automatiquement éteint parce que la tension de la batterie est faible
3	ERROR	La DEL clignote en rouge : l'appareil est allumé mais n'est pas prêt à fonctionner
4	SET	Permet de sélectionner le mode de saisie – Réglage de la température – Indication de degrés Celsius ou Fahrenheit – Réglage du protecteur de batterie
5	–	Ecran, affiche les valeurs
6	UP +	Une pression sur cette touche augmente la valeur de saisie sélectionnée
7	DOWN –	Une pression sur cette touche diminue la valeur de saisie sélectionnée

CF-25Prises de raccordement (fig. **5**, page 4) :**N° Désignation**

- 1 Prise de raccordement de l'alimentation en tension continue

CF-35, CF-40, CF-50, CF-60

Prises de raccordement (fig. **6**, page 4) :

N°	Désignation
1	Prise de raccordement de l'alimentation en tension alternative
2	Porte-fusible
3	Prise de raccordement de l'alimentation en tension continue

5.2 Accessoires

Si vous désirez alimenter les glacières **CF-18** et **CF-25** sur un réseau à tension alternative de 100–240 V, utilisez le redresseur de DOMETIC acheté.

6 Utilisation

6.1 Avant la première utilisation



Remarque

Avant de mettre en service votre nouvelle glacière, vous devez, pour des raisons d'hygiène, la nettoyer à l'intérieur et à l'extérieur à l'aide d'un tissu humide (voir aussi chapitre « Nettoyage et entretien», page 43).

Monter les poignées

CF-35, CF-40, CF-50, CF-60

Les poignées sont fournies démontées. Pour monter les poignées, procédez de la manière suivante :

- Assemblez deux fixations (fig. **7** 1, page 4) avec un corps de poignée (fig. **7** 2, page 4) pour former une poignée.
- Vissez la poignée ainsi constituée dans les orifices prévus à l'aide des vis fournies.

Retournement de la butée du couvercle

CF-50, CF-60

Vous pouvez retourner la butée du couvercle si vous voulez ouvrir celui-ci par l'autre côté. Procédez comme suit :

- Ouvrez le couvercle et retirez-le (fig. **8** A, page 5).
- Tournez le couvercle.
- Placez le couvercle dans l'emplacement du couvercle situé du côté opposé de la glacière (fig. **8** B, page 5).

Sélection de l'unité de température

CF-25, CF-35, CF-40, CF-50, CF-60

Vous pouvez sélectionner l'affichage de la température en degrés Celsius ou Fahrenheit. Procédez comme suit :

- Allumez la glacière.
- Appuyez deux fois sur la touche « SET » (fig. **4** 4, page 4).
- Sélectionnez l'unité de température (Celsius ou Fahrenheit) à l'aide des touches « UP + » (fig. **4** 6, page 4) ou « DOWN - » (fig. **4** 7, page 4).
- ✓ L'écran affiche l'unité de température sélectionnée pendant quelques secondes. L'écran clignote plusieurs fois avant de revenir à l'affichage de la température actuelle.

6.2 Conseils pour économiser de l'énergie

- Choisissez un emplacement bien aéré et à l'abri du soleil.
- Laissez refroidir les aliments chauds avant de les mettre dans la glacière.
- N'ouvrez pas la glacière plus souvent que nécessaire.
- Ne laissez pas le couvercle ouvert plus longtemps que nécessaire.
- Dégivrez la glacière dès qu'une couche de glace s'est formée.
- Évitez une température intérieure inutilement basse.

6.3 Raccordement de la glacière

Raccordement à une batterie (automobile ou bateau)

La glacière peut être branchée sur une tension continue de 12 V ou de 24 V.



Attention – L'appareil peut être endommagé !

Débranchez la glacière et les autres consommateurs d'énergie de la batterie avant de recharger la batterie avec un chargeur rapide. Les surtensions peuvent endommager l'électronique des appareils.

Pour des raisons de sécurité, la glacière est équipée d'une protection électronique contre les inversions de polarité en cas de raccordement à une batterie et contre les court-circuits.

- Branchez le câble de raccordement 12/24 V (fig. **1** 2, page 3) dans la prise pour tension continue et raccordez-le à l'allume-cigares ou à une prise 12 ou 24 V.

Raccordement à un réseau à tension alternative de 120 V (p. ex. à la maison ou au bureau)



Attention – Danger de mort par électrocution !

Ne vous approchez pas de prises ou de commutateurs lorsque vous avez les mains mouillées ou les pieds dans l'eau.



Attention – Danger de mort par électrocution !

Si vous raccordez votre glacière à bord d'un bateau à un réseau à tension alternative 120 V l'intermédiaire d'une prise de quai, vous devez absolument brancher un disjoncteur différentiel entre le réseau 120 V et la glacière.

Veillez vous renseigner auprès d'un spécialiste.

CF-35, CF-40, CF-50, CF-60

Les glacières **CF-35, CF-40, CF-50, CF-60** sont équipées d'un bloc d'alimentation intégré avec raccordement prioritaire pour branchement sur une tension alternative de 120V. Il permet de passer directement en fonctionnement sur secteur quand l'appareil est raccordé à un réseau de courant alternatif 120 V, même si le câble de raccordement 12 V ou 24 V est encore branché.

Lors du basculement entre alimentation sur réseau à courant alternatif et sur batterie, la DEL rouge peut s'allumer pendant quelques minutes.

- Branchez le câble de raccordement 120 V (fig. **1** 3, page 3) sur la prise pour tension alternative et raccordez-le a secteur à courant alternatif 120 V (uniquement pour **CF-35, CF-40, CF-50, CF-60**).

CF-18, CF-25

Si vous désirez alimenter les glacières **CF-18** et **CF-25** sur un réseau à tension alternative de 100–240 V, utilisez le redresseur de DOMETIC acheté.

6.4 Utilisation du protecteur de batterie



L'appareil est équipé d'un protecteur de batterie qui protège la batterie de votre véhicule, afin qu'elle ne se décharge pas excessivement lorsque la glacière est raccordée au réseau 12/24 V du véhicule.

Si la glacière est mise en service alors que l'allumage du véhicule est éteint, elle s'éteint automatiquement dès que la tension d'alimentation descend en dessous d'une valeur réglable. La glacière se rallume dès que la batterie est rechargée et que la tension de rallumage est atteinte.



Attention – Risque d'endommagement !

Au moment de l'arrêt par le protecteur de batterie, la batterie ne possède plus toute sa capacité de charge ; évitez les démarrages répétés ou la mise en marche de consommateurs d'énergie, tant que la batterie n'a pas été rechargée. Veillez à recharger la batterie.

En mode « HIGH », le protecteur de batterie se met en marche plus rapidement qu'en mode « LOW » ou « MED » (voir tableau suivant).

Mode protecteur de batterie	CF-18		CF-25, CF-35, CF-40, CF-50, CF-60		
	LOW	HIGH	LOW	MED	HIGH
Tension d'arrêt pour 12 V	10,4 V	11,5 V	10,1 V	11,4 V	11,8 V
Tension de rallumage pour 12 V	11,5 V	12,5 V	11,1 V	12,2 V	12,6 V
Tension d'arrêt pour 24 V	22,1 V	24,0 V	21,5 V	24,1 V	24,6 V
Tension de rallumage pour 24 V	23,6 V	25,4 V	23,0 V	25,3 V	26,2 V

Pour modifier le mode du protecteur de batterie, procédez comme suit :

CF-25, CF-35, CF-40, CF-50, CF-60

- Allumez la glacière.
- Appuyez trois fois sur la touche « SET » (fig. 4 4, page 4).
- Sélectionnez le mode du protecteur de batterie à l'aide des touches « UP + » (fig. 4 6, page 4) ou « DOWN - » (fig. 4 7, page 4).
- ✓ L'écran affiche le mode sélectionné pendant quelques secondes. L'écran clignote plusieurs fois avant de revenir à l'affichage de la température actuelle.



Remarque

Lorsque la glacière est alimentée par la batterie de démarrage, réglez le protecteur de batterie sur le mode « HIGH ». Lorsque la glacière est raccordée à une batterie d'alimentation, le mode « LOW » suffit.

Lorsque vous voulez faire fonctionner la glacière sur le réseau à tension alternative, réglez le protecteur de batterie sur le mode « LOW ».

6.5 Utilisation de la glacière



Attention – danger de surchauffe !

Veillez toujours à ce que la chaleur produite lors du fonctionnement puisse se dissiper suffisamment. Assurez-vous que les fentes d'aération ne sont pas recouvertes. Veillez à ce que l'appareil se trouve à distance suffisante des murs ou des objets, de sorte que l'air puisse circuler. espace~150mm.de glacière.

- Placez la glacière sur une surface stable.
Veillez à ce que les fentes d'aération ne soient pas recouvertes, afin que l'air chaud puisse bien s'évacuer.



Remarque

Montez la glacière comme indiqué sur l'illustration (voir fig.). Si la glacière est utilisée dans une autre position, elle risque d'être endommagée.

- Raccordez la glacière (voir « Raccordement de la glacière », page 36).



Remarque

Lorsque vous voulez faire fonctionner la glacière sur le réseau à tension alternative, réglez le protecteur de batterie sur le mode « LOW ».



Attention – Risque de températures trop basses !

Veillez à ne déposer dans la glacière que des objets ou des aliments qui peuvent être réfrigérés à la température sélectionnée.

CF-18

- **CF-18:** Placez l'interrupteur à coulisse (fig. **3** 4, page 3) en position « HIGH » pour fonctionner sur une batterie de démarrage, ou sur « LOW » pour fonctionner sur une batterie d'alimentation.
- ✓ La DEL « POWER » s'allume en vert.
- ✓ La glacière commence par la réfrigération du compartiment intérieur.
- ✓ Lorsque la température de refroidissement réglée est atteinte, la DEL « POWER » s'allume en jaune.

CF-25, CF-35, CF-40, CF-50, CF-60

- Appuyez pendant une à deux secondes sur la touche « ON/OFF » (fig. 4 1, page 4).
- ✓ La DEL « POWER » s'allume.
- ✓ L'écran (fig. 4 5, page 4) s'allume et indique la température actuelle.



Remarque

La température affichée est celle du centre du compartiment intérieur. Il est possible que la température varie selon la position.

- ✓ La glacière commence par la réfrigération du compartiment intérieur.

Verrouiller la glacière

- Fermez le couvercle.
- Abaissez le verrouillage (fig. 2 1, page 3) jusqu'à ce qu'il s'enclenche audiblement.

6.6 Réglage de la température

CF-18

- Réglez la température de refroidissement à l'aide du régulateur de température (fig. 3 1, page 3).

CF-25, CF-35, CF-40, CF-50, CF-60

- Appuyez une fois sur la touche « SET » (fig. 4 4, page 4).
- Sélectionnez la température de refroidissement à l'aide des touches « UP + » (fig. 4 6, page 4) ou « DOWN - » (fig. 4 7, page 4).
- ✓ L'affichage indique pendant quelques secondes la température de refroidissement réglée. L'écran clignote plusieurs fois avant de revenir à l'affichage de la température actuelle.

6.7 Mise hors-service de la glacière

- Videz la glacière.
- Eteignez la glacière.
- Débranchez le câble de raccordement.

Lorsque vous ne voulez pas utiliser la glacière pendant une période prolongée :

- Laissez le couvercle légèrement ouvert. Vous évitez ainsi la formation d'odeurs.

6.8 Dégivrage de la glacière

L'humidité de l'air peut se condenser sous forme de givre au niveau de l'évaporateur ou à l'intérieur de la glacière et diminuer ainsi sa puissance frigorifique. Veillez donc à dégivrer l'appareil à temps.



Attention – L'appareil peut être endommagé !

N'utilisez jamais d'outils durs ou pointus pour enlever les couches de glace ou pour détacher des objets pris dans le givre.

Procédez de la manière suivante pour dégivrer la glacière :

- Retirez les aliments.
- Placez-les éventuellement dans un autre réfrigérateur, pour qu'ils restent froids.
- Eteignez l'appareil.
- Laissez le couvercle ouvert.
- Essayez l'eau provenant du dégivrage.

6.9 Remplacement du fusible de l'appareil

Uniquement pour CF-25, CF-35, CF-40, CF-50, CF-60



Attention – Danger de mort par électrocution !

Avant de remplacer le fusible, retirez les câbles de raccordement.

- Débranchez les câbles de raccordement.
- Retirez le porte-fusible (fig. **6** 2, page 4) en faisant par ex. levier avec un tournevis.
- Remplacez le fusible défectueux par un nouveau fusible de même valeur (4A 250V).
- Remplacez le porte-fusible dans le boîtier, en appuyant dessus.

6.10 Remplacement du fusible du connecteur (12/24 V)

- Dévissez le compensateur (fig. **9** 4, page 5) du connecteur.
- Retirez la vis (fig. **9** 5, page 5) de la partie supérieure du boîtier (fig. **9** 1, page 5).
- Soulevez avec précaution la partie supérieure du boîtier pour la séparer de la partie inférieure (fig. **9** 6, page 5).
- Retirez la fiche de contact (fig. **9** 3, page 5).
- Remplacez le fusible défectueux (fig. **9** 2, page 5) par un nouveau fusible de même valeur (8A 32V).
- Remontez le connecteur en effectuant les opérations dans l'ordre inverse.

6.11 Changer les éléments lumineux

Uniquement pour CF-25, CF-35, CF-40, CF-50, CF-60

- Appuyez sur la tige de contact (fig. **10** 2, page 5) pour que la partie transparente (fig. **10** 1, page 5) de la lampe puisse être retirée par devant.
- Remplacez l'élément lumineux.



Remarque

Tenez compte de la polarité ! Le côté de l'élément lumineux désigné par le plus doit être placé au niveau du contact relié à la ligne rouge.



Remarque

Les DEL de l'élément lumineux doivent être orientées vers la partie transparente de la lampe.

- Replacez la partie transparente de la lampe dans le boîtier.

7 Nettoyage et entretien



Attention – Danger de mort par électrocution !

Avant tout nettoyage et entretien, débranchez la prise secteur.



Attention – L'appareil peut être endommagé !

Ne nettoyez jamais l'appareil à l'eau courante et ne le plongez pas non plus dans l'eau.

N'utilisez pas de produits de lavage abrasifs ou d'objets durs pour le nettoyage, car ceux-ci pourraient endommager l'appareil.

N'utilisez jamais de brosses, d'éponges abrasives ou d'outils durs ou pointus pour enlever les couches de glace ou pour détacher des objets pris dans le givre.

- Nettoyez l'appareil avec un tissu humide.

8 Garantie

Nos conditions générales de garantie s'appliquent à ce produit. Veuillez envoyer le produit à la succursale DOMETIC de votre pays (voir verso de ce manuel d'utilisation pour les adresses) ou à votre revendeur spécialisé. Veuillez y joindre les documents suivants pour la gestion des réparations et de la garantie :

- Une copie de la facture datée
- Le motif de la réclamation ou une description du dysfonctionnement.

9 Dépannage

Dysfonctionnement	Cause éventuelle	Solution proposée
L'appareil ne fonctionne pas, la DEL n'est pas allumée.	La prise 12/24 volts (allume-cigares) de votre véhicule n'est pas sous tension.	Dans la plupart des véhicules, le contact doit être mis pour que l'allume-cigares soit sous tension.
	La prise de tension alternative n'est pas sous tension.	Essayez sur une autre prise.
	Le fusible de l'appareil est défectueux.	Remplacez le fusible de l'appareil (voir « Remplacement du fusible de l'appareil », page 42).
	Le bloc d'alimentation intégré est défectueux.	La réparation peut être effectuée uniquement par un service après-vente agréé.
L'appareil ne réfrigère pas (le connecteur est branché, la DEL « POWER » est allumée).	Compresseur défectueux.	La réparation peut être effectuée uniquement par un service après-vente agréé.
L'appareil ne réfrigère pas (le connecteur est branché, la DEL « ERROR » clignote).	La tension de la batterie est insuffisante.	Contrôlez la batterie et chargez-la si nécessaire.

Dysfonctionnement	Cause éventuelle	Solution proposée
Lors du fonctionnement sur prise 12/24-V (allume-cigares) : L'allumage est en marche, l'appareil ne fonctionne pas et la DEL n'est pas allumée. Retirez la fiche de la prise, puis procédez aux contrôles suivants.	La prise de l'allume-cigares est sale. Ceci entraîne un mauvais contact électrique. Le fusible de la prise 12/24 V est grillé. Le fusible du véhicule correspondant à l'allume-cigares est grillé.	Si la fiche devient très chaude lorsqu'elle est branchée dans la prise de l'allume-cigares, c'est que la prise de l'allume-cigares doit être nettoyée ou que la fiche n'est pas bien montée. Remplacez le fusible (8 A) du connecteur 12 V (voir « Remplacement du fusible du connecteur (12/24V)», page 42). Remplacez le fusible du véhicule correspondant à la prise 12/24 V (normalement 15 A) (veuillez respecter les instructions du manuel d'entretien de votre véhicule).
Un message d'erreur s'affiche (p. ex. « Err1 ») et l'appareil ne réfrigère pas.	Un dysfonctionnement interne a arrêté l'appareil.	La réparation peut être effectuée uniquement par un service après-vente agréé.

10 Retraitement

- Jetez les emballages dans les conteneurs de déchets recyclables prévus à cet effet.



Lorsque vous mettez votre appareil définitivement hors service, informez-vous auprès du centre de recyclage le plus proche ou auprès de votre revendeur spécialisé sur les prescriptions relatives au retraitement des déchets.

11 Caractéristiques techniques

	CF-18	CF-25	CF-35
Capacité :	18 litres	23 litres	31 litres
Tension de raccordement :	12/24 V _{CC}		12/24 V _{CC} et 120 V _{CA}
Courant nominal :			
– 12 V _{DC} :	3,1 A	6,8 A	6,0 A
– 24 V _{DC} :	1,9 A	3,0 A	3,0 A
– 120 V _{AC} :	–	–	1,3 à 0,7 A
Puissance frigorifique :	de +10 °C à –18 °C (+50 °F à 0 °F)		
Dimensions (L x h x p, mm) :	465x414x300	550x425x260	580x385x360
Poids :	11,5 kg	12 kg	15 kg
	CF-40	CF-50	CF-60
Capacité :	37 litres	49 litres	59 litres
Tension de raccordement :	12/24 V _{CC} et 120 V _{CA}		
Courant nominal :			
– 12 V _{DC} :	6,0 A	7,0 A	7,0 A
– 24 V _{DC} :	3,0 A	3,0 A	3,0 A
– 120 V _{AC} :	1,3 à 0,7 A	1,3 à 0,7 A	1,3 à 0,7 A
Puissance frigorifique :	de +10 °C à –18 °C (+50 °F à 0 °F)		
Dimensions (L x h x p, mm) :	580x445x360	630x480x360	630x582x360
Poids :	16 kg	18 kg	21,6 kg



Remarque

La température minimale ne peut plus être atteinte à des températures ambiantes supérieures à +32 °C (+90 °F).

Contrôle/certificats :



– 73/23/CEE – Directive basse tension

– 89/336/CEE – Directive CEM



– 95/54/CEE

Spécifications sous réserve de modifications liées aux évolutions techniques et de disponibilités de livraison.

Cet appareil ne contient pas de CFC. Le circuit de refroidissement contient du R134a.

Dometic CoolFreeze

Antes de poner en funcionamiento el aparato, lea atentamente estas instrucciones de uso y consérvelas en un lugar seguro para futuras consultas. En caso de vender o entregar el aparato a otra persona, entregue también estas instrucciones.

Índice

1	Indicaciones relativas a las instrucciones de uso	49
2	Indicaciones de seguridad	49
2.1	Seguridad general básica	50
2.2	Seguridad durante el funcionamiento del aparato	51
3	Volumen de entrega	52
4	Uso adecuado	52
5	Descripción del funcionamiento	53
5.1	Elementos de mando y de indicación	54
5.2	Accesorios	56
6	Manejo	56
6.1	Antes del primer uso	56
6.2	Consejos para el ahorro de energía	57
6.3	Conexión de la nevera	58
6.4	Uso del controlador de la batería	59
6.5	Uso de la nevera	61
6.6	Ajustar la temperatura	62
6.7	Desconectar la nevera	63
6.8	Descongelar la nevera	63
6.9	Sustituir el fusible del aparato	64
6.10	Cambiar el fusible de la clavija (12/24 V)	64
6.11	Cambiar el elemento luminoso	65
7	Limpieza y mantenimiento	65
8	Garantía legal	66
9	Solución de averías	66
10	Eliminación de desechos	67
11	Datos técnicos	68

1 Indicaciones relativas a las instrucciones de uso

En estas instrucciones se utilizan los siguientes símbolos:



¡Atención!

Indicación de seguridad: su incumplimiento puede producir daños personales o materiales.



¡Atención!

Indicación de seguridad relativa a peligros ocasionados por la corriente o tensión eléctricas: su incumplimiento puede ocasionar daños personales o materiales, así como perjudicar el funcionamiento del aparato.



Advertencia

Información adicional para el manejo de este aparato.

► **Paso a seguir:** este símbolo le indica que debe realizar un paso. Todos los procedimientos se describen paso a paso.

✓ Este símbolo describe el resultado de un paso realizado.

Fig. 2 1, página 3: esta indicación le remite a un elemento de una figura, en este ejemplo, "Posición 1 en la figura 2 de la página 3".

Tenga en cuenta también las siguientes indicaciones de seguridad.

2 Indicaciones de seguridad



● ¡Atención!

DOMETIC International no se hace responsable de los daños causados como consecuencia de:

- daños en el aparato debidos a influencias mecánicas o a sobretensión,
- modificaciones realizadas en el aparato sin el consentimiento expreso de DOMETIC International,
- utilización del aparato para otros fines distintos a los descritos en las instrucciones.

2.1 Seguridad general básica



- **¡Atención! ¡Peligro de muerte por descarga eléctrica!**
Uso en embarcaciones: si la nevera funciona conectada a la red eléctrica, asegúrese de que el suministro de corriente esté protegido con un interruptor diferencial.
- Compare el valor de tensión indicado en la placa de características con el suministro de energía existente.
- Conecte el aparato sólo del siguiente modo:
 - conecte el cable de alimentación adjunto (fig. **1** 2, página 3) al mechero del vehículo o a una caja de enchufe de 12 V/24 V en el vehículo
 - o bien el cable de conexión adjunto (fig. **1** 3, página 3) a la red de corriente alterna de 120 V (sólo **CF-35**, **CF-40**, **CF-50**, **CF-60**).
- Si el cable de conexión está dañado, deberá sustituirlo por un cable especial que podrá solicitar al fabricante o al servicio de atención al cliente.
- Nunca tire del cable de alimentación para desenchufarlo del mechero del vehículo o de la caja de enchufe.
- Desenchufe el cable de alimentación
 - antes de realizar cualquier tarea de limpieza y mantenimiento
 - después de cada uso
 - antes de cambiar un fusible
- Antes de cargar la batería con un cargador rápido, desconéctela del aparato y de otros consumidores. La sobretensión puede dañar el sistema electrónico del aparato.



- **¡Los aparatos eléctricos no son juguetes!**
Guarde y utilice el aparato fuera del alcance de los niños.
- No ponga el aparato en funcionamiento si presenta deterioros visibles.
- Sólo está permitido a especialistas realizar reparaciones en el aparato. Las reparaciones realizadas indebidamente pueden dar lugar a situaciones de peligro considerable.
Diríjase al servicio de atención al cliente de DOMETIC en caso de que sea necesario reparar el aparato.
- ¡No abra nunca el circuito de refrigeración!

- ¡Esta nevera no es apta para transportar sustancias corrosivas o disolventes!
- Los alimentos sólo se pueden guardar en los envases originales o en recipientes adecuados.

2.2 Seguridad durante el funcionamiento del aparato



- **¡Atención! ¡Peligro de muerte por descarga eléctrica!**
No toque directamente con las manos un cable sin aislamiento. Esto rige especialmente en caso de funcionamiento con corriente alterna.
- Antes de la puesta en funcionamiento, asegúrese de que el cable de alimentación y la clavija de enchufe estén secos.



- No está permitido introducir aparatos eléctricos en el interior de la nevera.
- Coloque el aparato en un lugar seco y protegido contra posibles salpicaduras de agua.
- Proteja el aparato y los cables de la lluvia y de la humedad.
- No coloque el aparato cerca de llamas vivas ni de otras fuentes de calor (calefacción, radiación directa del sol, estufas de gas, etc.).
- **¡Atención! ¡Peligro de sobrecalentamiento!**
Asegúrese todo el tiempo de que el calor producido durante el funcionamiento se pueda desalojar adecuadamente. Evite que se obstruyan las ranuras de ventilación. Asegúrese de que el aparato guarde la suficiente distancia con las paredes u objetos, de forma que el aire pueda circular.
- No sumerja nunca el aparato en agua.
- No introduzca líquidos ni hielo en el depósito interior.

3 Volumen de entrega

La fig. **1**, página 3, muestra el volumen de entrega.

Pos.	Cantidad	Denominación
1	1	Nevera
2	1	Cable de alimentación para conexión de 12/24 V _{CC} Sólo CF-35, CF-40, CF-50, CF-60
3	1	Cable de conexión para 120 V _{CA} Sólo CF-35, CF-40, CF-50, CF-60
4	2	Asa de transporte, compuesta de: <ul style="list-style-type: none"> – 2 soportes – 1 asa – 4 tornillos de fijación
–	1	Instrucciones de uso

4 Uso adecuado



La nevera es apta tanto para enfriar como para congelar los alimentos. El aparato también es apto para su funcionamiento en embarcaciones.



El aparato está diseñado para el uso de una caja de enchufe de a bordo de 12 V_{CC} ó 24 V_{CC} de un vehículo (por ejemplo, el mechero del vehículo), de una embarcación o una caravana, así como para una corriente alterna de 120 V_{CA} (para **CF-18** y **CF-25** sólo con el accesorio a la corriente de 100–240 V_{CA}).



¡Atención! – ¡Tenga cuidado con medicamentos percederos!

En caso de que necesite enfriar medicamentos, compruebe si la capacidad de enfriamiento corresponde a los requisitos del medicamento en cuestión.

5 Descripción del funcionamiento

En la nevera se pueden enfriar y mantener fríos los productos, así como congelar. La refrigeración se realiza a través de un circuito de refrigeración con compresor que no requiere mantenimiento y no contiene CFC. El aislamiento exterior extrafuerte libre de CFC y el compresor de alto rendimiento garantizan una refrigeración especialmente rápida.

La nevera es adecuada para su uso portátil y se puede transportar con el estribo de transporte plegable (**CF-18**), dos cavidades de agarre (**CF-25**) o dos asas de transporte desmontables (**CF-35**, **CF-40**, **CF-50**, **CF-60**).

Para su uso en embarcaciones, la nevera puede funcionar con un ángulo de escora constante de 30°.

Indicaciones relativas al funcionamiento:

	CF-18	CF-25	CF-35, CF-40, CF-50, CF-60
Fuente de alimentación con conexión de prioridad para la conexión a la corriente alterna	–	–	•
Controlador de batería para la protección de la batería del vehículo	de dos niveles	de tres niveles	
Modo Turbo para un enfriamiento rápido	–	•	•
Pantalla con indicador de temperatura	–	•	•
Ajuste de temperatura	con mando giratorio	Con dos pulsadores en pasos de 1 °C (2 °F)	
Asa de transporte desmontable	–	–	•

5.1 Elementos de mando y de indicación

CF-25, CF-35, CF-40

Bloqueo de la tapa: fig. **2** 1, página 3

CF-18

Panel de control y conectores (fig. **3**, página 3):

Pos.	Denominación	Explicación
1	TEMPERATURE	Regulador de temperatura, temperatura de enfriamiento en las posiciones finales: COLD: +10 °C (+50 °F) FREEZE: -18 °C (0 °F)
2	POWER	Indicación del modo de funcionamiento LED iluminado en verde: el aparato está conectado y listo para funcionar LED iluminado en amarillo: se ha alcanzado la temperatura ajustada
3	ERROR	El LED parpadea en rojo: el aparato conectado no está listo para funcionar
4	BATTERY MONITOR	Contactador/controlador de la batería: 0: el aparato está desconectado HIGH: el aparato está conectado, el controlador de la batería está en modo HIGH LOW: el aparato está conectado, el controlador de la batería está en modo LOW
5	12/24V CC	Conector para la alimentación de corriente continua

CF-25, CF-35, CF-40, CF-50, CF-60Panel de mando (fig. **4**, página 4)

Pos.	Denominación	Explicación
1	ON OFF	Enciende o apaga la nevera cuando se pulsa la tecla durante uno o dos segundos
2	POWER	Indicación del modo de funcionamiento LED iluminado en verde: el compresor está en marcha LED iluminado en naranja: el compresor está apagado LED parpadea en naranja: La pantalla se apaga automáticamente porque la tensión de la batería es baja
3	ERROR	LED parpadea en rojo: el aparato conectado no está listo para funcionar
4	SET	Selecciona el modo de entrada de datos – ajuste de temperatura – indicación en °Celsius o °Fahrenheit – ajuste del controlador de la batería
5	–	Display, indica la temperatura
6	UP +	Pulsando una vez, aumenta el valor de entrada
7	DOWN –	Pulsando una vez, disminuye el valor de entrada

CF-25Conectores (fig. **5**, página 4):**Pos. Denominación**

- 1 Conectores para la alimentación de corriente continua

CF-35, CF-40, CF-50, CF-60

Conectores (fig. **6**, página 4):

Pos.	Denominación
1	Conectores para la alimentación de corriente alterna
2	Portafusible
3	Conectores para la alimentación de corriente continua

5.2 Accesorios

En caso de que quiera usar las neveras **CF-18** y **CF-25** conectadas a la red de corriente alterna de 100–240 V, use el rectificador de Dometic comprado.

6 Manejo

6.1 Antes del primer uso



Advertencia

Por razones de higiene, debería limpiar la nueva nevera por dentro y por fuera con un paño húmedo antes de ponerla en funcionamiento (véase también capítulo “Limpieza y mantenimiento” en la página 65).

Montaje de las asas

CF-35, CF-40, CF-50, CF-60

Las asas se adjuntan sueltas. Si las quiere montar, proceda como se indica a continuación:

- ▶ Monte dos soportes (fig. **7** 1, página 4) y un asa (fig. **7** 2, página 4) formando una unidad.
- ▶ Fije el asa con los tornillos adjuntos en los orificios previstos para ello.

Dar la vuelta al tope de la tapa

CF-50, CF-60

Puede dar la vuelta al tope de la tapa, en caso de que desee abrir la tapa hacia el otro lado. Para ello proceda de la siguiente manera:

- Abra la tapa y extráigala (fig. **8** A, página 5).
- Gire la tapa.
- Coloque la tapa en sus alojamientos del lado contrario de la nevera (fig. **8** B, página 5).

Seleccionar la unidad de temperatura

CF-25, CF-35, CF-40, CF-50, CF-60

Para la indicación de temperatura puede elegir entre °Celsius o °Fahrenheit. Para ello proceda de la siguiente manera:

- Encienda la nevera.
- Pulse el botón “SET” (fig. **4** 4, página 4) dos veces.
- Ajuste con las teclas “UP +” (fig. **4** 6, página 4) o “DOWN -” (fig. **4** 7, página 4) la unidad de temperatura °Celsius o °Fahrenheit.
- ✓ El display indica durante unos segundos la unidad de temperatura ajustada. El display parpadea algunas veces antes de volver a mostrar la temperatura actual.

6.2 Consejos para el ahorro de energía

- Elija un lugar de emplazamiento correctamente ventilado y protegido de la radiación solar.
- Si los alimentos están calientes, deje que se enfríen antes de introducirlos en la nevera.
- Evite abrir la nevera más de lo necesario.
- No deje la tapa abierta más tiempo del necesario.
- Descongele la nevera cuando se forme una capa de escarcha.
- Evite utilizar temperaturas innecesariamente bajas.

6.3 Conexión de la nevera

Conexión a una batería (Vehículo o embarcación)

La nevera puede funcionar con una tensión continua de 12 V ó 24 V.



¡Atención! – ¡Peligro de daños en el aparato!

Antes de cargar la batería con un cargador rápido, desconéctela de la nevera y de otros consumidores.

La sobretensión puede dañar el sistema electrónico del aparato.

Por motivos de seguridad, la nevera está equipada con una protección electrónica contra inversión de polaridad que la protege si no se respeta la polaridad al conectarla a la batería y contra cortocircuitos.

- ▶ Enchufe el cable de alimentación de 12/24 V (fig. 1 2, página 3) en el conector de tensión continua y conéctelo al mechero del vehículo o a una caja de enchufe de 12 V ó 24 V.

Conexión a la red de corriente alterna de 120 V (p. ej., en casa o en la oficina)



¡Atención! – ¡Peligro de muerte por descarga eléctrica!

No manipule los enchufes ni interruptores con las manos mojadas o con los pies sobre una superficie mojada.



¡Atención! – ¡Peligro de muerte por descarga eléctrica!

Si usa la nevera en una embarcación a través de una conexión detierra de corriente alterna de 120 V, deberá conectar un interruptor diferencial entre la red de 120 V y el refrigerador. Consulte con un especialista.

CF-35, CF-40, CF-50, CF-60

Las neveras **CF-35**, **CF-40**, **CF-50** y **CF-60** tienen una fuente de alimentación integrada de tensión múltiple con conexión de prioridad para la conexión de tensión alterna de 120 V.

Mediante la conexión de prioridad se cambia de forma automática al funcionamiento con corriente de red, cuando se conecte el aparato a la red de corriente alterna de 120 V, aunque esté conectado de cable de conexión de 12/24 V.

Al cambiar entre la red de corriente alterna y la alimentación por batería, es posible que el LED rojo se ilumine durante unos minutos.

- Introduzca el cable de conexión de 120 V (fig. **1** 3, página 3) en el conector de tensión alterna y conéctelo a la redde corriente alterna de 120 V (sólo **CF-35**, **CF-40**, **CF-50**, **CF-60**).

CF-18, CF-25

Para utilizar las neveras **CF-18** y **CF-25** conectadas a la red de corriente alterna de 100–240 V, utilice el rectificador de Dometic comprado.

6.4 Uso del controlador de la batería



El aparato está equipado con un controlador de la batería de varios niveles que evita que la batería del vehículo se descargue excesivamente al utilizar la red de a bordo de 12/24 V.

En caso de poner en funcionamiento la nevera en el vehículo con el contacto apagado, ésta se desconectará automáticamente en cuanto descienda la tensión de alimentación por debajo del valor programable. La nevera vuelve a conectarse tan pronto como se cargue la batería y se alcance la tensión de alimentación de reconexión.



¡Atención! – ¡Peligro de daños materiales!

Al apagarse mediante el controlador de la batería la batería ya no dispone de su capacidad de carga completa, evite continuos arranques o poner en funcionamiento otros consumidores de corriente sin haber recargado la batería. Asegúrese de recargar la batería.

En el modo “HIGH” el controlador de batería se activa antes que en el nivel “LOW” y “MED” (véase la siguiente tabla).

Modo de controlador de la batería	CF-18		CF-25, CF-35, CF-40, CF-50, CF-60		
	LOW	HIGH	LOW	MED	HIGH
Tensión de desconexión a 12 V	10,4 V	11,5 V	10,1 V	11,4 V	11,8 V
Tensión de reconexión a 12 V	11,5 V	12,5 V	11,1 V	12,2 V	12,6 V
Tensión de desconexión a 24 V	22,1 V	24,0 V	21,5 V	24,1 V	24,6 V
Tensión de reconexión a 24 V	23,6 V	25,4 V	23,0 V	25,3 V	26,2 V

Para cambiar el modo del controlador de la batería, proceda como sigue:

CF-25, CF-35, CF-40, CF-50, CF-60

- Encienda la nevera.
- Pulse el botón “SET” (fig. 4 4, página 4) tres veces.
- Ajuste con las teclas “UP +” (fig. 4 6, página 4) o “DOWN -” (fig. 4 7, página 4) el modo del controlador de la batería.
- ✓ El display indica durante unos segundos el modo del controlador de la batería. El display parpadea algunas veces antes de volver a mostrar la temperatura actual.



Advertencia

Cuando la nevera está alimentada por la batería de arranque, seleccione el modo de controlador de la batería “HIGH”.

Cuando la nevera está alimentada por la batería de abastecimiento, es suficiente el modo de controlador de la batería “LOW”.

Cuando utilice la nevera conectada a la red de corriente alterna, ponga el controlador de la batería en la posición “LOW”.

6.5 Uso de la nevera



¡Atención! – ¡Peligro de sobrecalentamiento!

Asegúrese todo el tiempo de que el calor producido durante el funcionamiento se pueda desalojar adecuadamente. Evite que se obstruyan las ranuras de ventilación. Asegúrese de que el aparato guarde la suficiente distancia con las paredes u objetos, de forma que el aire pueda circular. Despeje~150mm de.Coloque.

- ▶ Coloque la nevera sobre una base firme.
Procure que no se obstruyan las ranuras de ventilación y que el aire recalentado se evacue correctamente.



Advertencia

Coloque la nevera como aparece representado (véase fig.). Si la nevera se pone en marcha situada en otra posición, podría dañar el aparato.

- ▶ Conecte la nevera, véase “Conexión de la nevera” en la página 58.



Advertencia

Cuando utilice la nevera conectada a la red de corriente alterna, ponga el controlador de la batería en la posición “LOW”.



¡Atención! – ¡Peligro debido a temperatura demasiado baja!

Asegúrese de que en la nevera solo hay objetos o productos que puedan enfriarse a la temperatura seleccionada.

CF-18

- ▶ **CF-18:** deslice el interruptor deslizante (fig. **3** 4, página 3) a “HIGH” para el uso con la batería de arranque o a “LOW” para el uso con una batería de abastecimiento.
- ✓ El LED “POWER” se ilumina de color verde.
- ✓ La nevera empieza a refrigerar el interior.
- ✓ Cuando se alcanza la temperatura de enfriamiento, el LED “POWER” se ilumina de color verde.

CF-25, CF-35, CF-40, CF-50, CF-60

- ▶ Pulse el botón “ON/OFF” (fig. **4** 1, página 4) durante uno o dos segundos.
- ✓ El LED “POWER” se ilumina.
- ✓ La pantalla (fig. **4** 5, página 4) se enciende e indica la temperatura de enfriado actual.



Advertencia

La temperatura indicada se refiere al centro del compartimiento interior. La temperatura de otras partes puede ser diferente.

- ✓ La nevera empezará a refrigerar el interior.

Bloqueo de la nevera

- ▶ Cierre la tapa.
- ▶ Presione el bloqueo hacia abajo (fig. **2** 1, página 3) hasta que se la oiga encajar.

6.6 Ajustar la temperatura

CF-18

- ▶ Ajuste la temperatura de enfriamiento con el regulador de temperatura (fig. **3** 1, página 3).

CF-25, CF-35, CF-40, CF-50, CF-60

- ▶ Pulse el botón “SET” (fig. **4** 4, página 4) una vez.
- ▶ Ajuste la temperatura de enfriamiento con las teclas “UP +” (fig. **4** 6, página 4) o “DOWN -” (fig. **4** 7, página 4).
- ✓ La pantalla indica, durante unos segundos, la temperatura de enfriado ajustada. El display parpadea algunas veces antes de volver a mostrar la temperatura actual.

6.7 Desconectar la nevera

- Vacíe la nevera.
- Desconecte la nevera.
- Desenchufe el cable de alimentación.

Si no va a usar la nevera durante un largo período de tiempo:

- Deje la tapa de la nevera ligeramente abierta. De esta forma, evitará la aparición de olores.

6.8 Descongelar la nevera

Es posible que la humedad del aire se deposite en forma de escarcha en el evaporador o en el interior de la nevera, disminuyendo de este modo la potencia frigorífica. Descongele la nevera para evitarlo.



¡Atención! – ¡Peligro de daños en el aparato!

Nunca utilice herramientas duras o puntiagudas para retirar capas de hielo o soltar productos que se hayan adherido al congelarse.

Para descongelar la nevera, proceda como se indica a continuación:

- Saque los productos del interior de la nevera.
- En caso necesario, coloque los productos en otro refrigerador para mantenerlos fríos.
- Desconecte el aparato.
- Deje abierta la tapa de la nevera.
- Seque con un paño el agua descongelada.

6.9 Sustituir el fusible del aparato

Sólo CF-25, CF-35, CF-40, CF-50, CF-60



¡Atención! – ¡Peligro de muerte por descarga eléctrica!

Desenchufe el cable de conexión antes de cambiar el fusible del aparato.

- Desenchufe el cable de alimentación.
- Saque el juego de fusibles (fig. **6** 2, página 4) con un desatornillador, por ejemplo.
- Cambie el fusible averiado por otro nuevo del mismo valor (4A 250V).
- Presione el juego de fusibles en la carcasa.

6.10 Cambiar el fusible de la clavija (12/24 V)

- Saque el casquillo de compensación (fig. **9** 4, página 5) de la clavija.
- Desatornille el tornillo (fig. **9** 5, página 5) de la parte superior de la carcasa (fig. **9** 1, página 5).
- Separe con cuidado la mitad de la carcasa superior de la inferior (fig. **9** 6, página 5).
- Extraiga la clavija de contacto (fig. **9** 3, página 5).
- Cambie el fusible averiado (fig. **9** 2, página 5) por otro nuevo del mismo valor (8A 32V).
- Vuelva a montar la clavija procediendo al revés.

6.11 Cambiar el elemento luminoso

Sólo CF-25, CF-35, CF-40, CF-50, CF-60

- Presione hacia abajo el pasador (fig. **10** 2, página 5), de forma que la pieza transparente (fig. **10** 1, página 5) de la lámpara se pueda extraer hacia delante.
- Cambie el elemento luminoso.



Nota

Preste atención a que la polaridad sea la correcta. El lado del elemento luminoso marcado con la señal positiva se tiene que colocar junto al contacto que está unido al cable rojo.



Nota

Los LEDs del elemento luminoso tienen que estar orientados hacia la pieza transparente de la lámpara.

- Vuelva a introducir la pieza transparente de la lámpara en la carcasa.

7 Limpieza y mantenimiento



¡Atención! – ¡Peligro de muerte por descarga eléctrica!

Antes de realizar cualquier tarea de limpieza y mantenimiento retire la clavija de enchufe.



¡Atención! – ¡Peligro de daños en el aparato!

Nunca limpie la máquina con agua corriente o inmersa en agua jabonosa.

No emplee productos de limpieza corrosivos u objetos duros, ya que pueden deteriorar el aparato.

Nunca utilice cepillos, rascadores, herramientas duras o puntiagudas para retirar capas de hielo o soltar productos que se hayan adherido tras congelarse.

- Limpie el interior del aparato con un paño húmedo de vez en cuando.

8 Garantía legal

Rigen nuestras condiciones generales de garantía. Si el producto presenta algún defecto, envíelo a la sucursal de DOMETIC en su país (ver direcciones en el dorso de estas instrucciones) o a su comercio especializado. Para la reparación y tramitación de la garantía debe enviar también los siguientes documentos:

- una copia de la factura con fecha de compra
- la razón de la reclamación o una descripción de la avería

9 Solución de averías

Avería	Causa posible	Propuesta de solución
El aparato no funciona, el LED no se ilumina.	No hay tensión en la caja de enchufe de 12/24 V (mechero) del vehículo.	En la mayoría de los vehículos debe estar conectado el interruptor de encendido para que el mechero tenga corriente.
	La caja de enchufe de tensión alterna no conduce corriente.	Inténtelo en otra caja de enchufe.
	El fusible del aparato está averiado.	Cambie el fusible del aparato, véase "Sustituir el fusible del aparato" en la página 64.
El aparato no enfría (la clavija está conectada, el LED "POWER" se ilumina).	La fuente de alimentación integrada está averiada.	Sólo un servicio de asistencia técnica autorizado puede realizar las reparaciones.
	Compresor averiado.	Sólo un servicio de asistencia técnica autorizado puede realizar las reparaciones.
El aparato no enfría (la clavija está conectada, el LED "ERROR" parpadea).	La tensión de batería no es suficiente.	Compruebe la batería y cárguela de ser necesario.

Avería	Causa posible	Propuesta de solución
Al funcionar conectada al enchufe de 12/24 V (mechero del vehículo): el encendido está conectado, pero el aparato no funciona y el LED no está iluminado.	El alojamiento del mechero está sucio, de modo que el contacto eléctrico es defectuoso.	Cuando la clavija se calienta demasiado en el alojamiento del mechero, puede ser que dicho alojamiento esté sucio, en cuyo caso se deberá limpiar, o también es posible que no se haya montado la clavija correctamente.
Desenchufe la clavija de la caja de enchufe y realice las siguientes comprobaciones.	Se ha fundido el fusible de la clavija de 12/24 V. Se ha fundido el fusible del vehículo.	Cambie el fusible (8 A) de la clavija de 12 V, véase "Cambiar el fusible de la clavija (12/24 V)" en la página 64. Cambie el fusible de la caja de enchufe de 12 V del vehículo (normalmente 15 A) (consulte para ello las instrucciones de su automóvil).
En la pantalla se indica un mensaje de error (por ejemplo, "Err1") y el aparato no enfría.	El aparato se ha apagado por un fallo interno.	Sólo un servicio de asistencia técnica autorizado puede realizar las reparaciones.

10 Eliminación de desechos

- Deseche el material de embalaje en el contenedor de reciclaje correspondiente.



Cuando vaya a desechar definitivamente el aparato, infórmese en el centro de reciclaje más cercano o en un comercio especializado sobre las normas pertinentes de eliminación de materiales.

11 Datos técnicos

	CF-18	CF-25	CF-35
Capacidad:	18 litros	23 litros	31 litros
Tensión de conexión:	12/24 V _{CC}		12/24 V _{CC} y 120 V _{CA}
Corriente nominal:			
– 12 V _{DC} :	3,1 A	6,8 A	6,0 A
– 24 V _{DC} :	1,9 A	3,0 A	3,0 A
– 120 V _{AC} :	–	–	1,3 hasta 0,7 A
Capacidad de enfriamiento:	+10 °C hasta –18 °C (+50 °F hasta 0 °F)		
Medidas (l x h x a) en mm:	465x414x300	550x425x260	580x385x360
Peso:	11,5 kg	12 kg	15 kg
	CF-40	CF-50	CF-60
Capacidad:	37 litros	49 litros	59 litros
Tensión de conexión:	12/24 V _{CC} y 120 V _{CA}		
Corriente nominal:			
– 12 V _{DC} :	6,0 A	7,0 A	7,0 A
– 24 V _{DC} :	3,0 A	3,0 A	3,0 A
– 120 V _{AC} :	1,3 hasta 0,7 A	1,3 hasta 0,7 A	1,3 hasta 0,7 A
Capacidad de enfriamiento:	+10 °C hasta –18 °C (+50 °F hasta 0 °F)		
Medidas (l x h x a) en mm:	580x445x360	630x480x360	630x582x360
Peso:	16 kg	18 kg	21,6 kg

**Advertencia**

En el caso de temperaturas ambiente superiores a +32 °C (+90 °F) ya no será posible alcanzar la temperatura mínima.

Inspección/Certificados:



– 73/23/CEE – Directiva sobre baja tensión

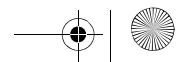
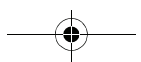
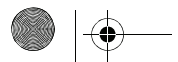
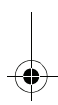
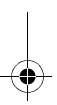
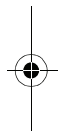
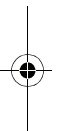
– 89/336/CEE – Directiva CEM

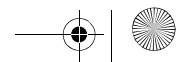
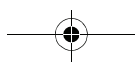
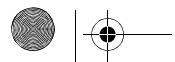
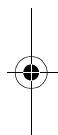
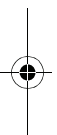


– 95/54/CEE

Reservado el derecho a realizar modificaciones en los modelos y suministros en función de los avances técnicos.

Este aparato no contiene CFC. El circuito de refrigeración contiene R134a.





Dometic GROUP

(D) Dometic WAECO International GmbH
Hollefeldstraße 63 · D-48282 Emsdetten
☎ +49 (0) 2572 879-195 · 📠 +49 (0) 2572 879-322
Mail: info@dometic-waeco.de · Internet: www.dometic-waeco.de

Europe

(A) Dometic Austria GmbH
Neudorferstrasse 108
2353 Guntramsdorf
☎ +43 2236 908070
📠 +43 2236 90807060
Mail: info@waeco.at

(CH) Dometic Switzerland AG
Riedackerstrasse 7a
CH-8153 Rümlang (Zürich)
☎ +41 44 8187171
📠 +41 44 8187191
Mail: info@waeco.ch

(DK) Dometic Denmark A/S
Nordensvej 15, Taulov
DK-7000 Fredericia
☎ +45 75585966
📠 +45 75586307
Mail: info@waeco.dk

(E) Dometic Spain S.L.
Avda. Sierra del Guadarrama, 16
E-28691 Villanueva de la Cañada
Madrid
☎ +34 902 111 042
📠 +34 900 100 245
Mail: info@dometic.es

(F) Dometic S.N.C.
ZA du Pré de la Dame Jeanne
F-60128 Plailly
☎ +33 3 44633500
📠 +33 3 44633518
Mail: info@waeco.fr

(FIN) Dometic Finland OY
Mestarintie 4
FIN-01730 Vantaa
☎ +358 20 7413220
📠 +358 9 7593700
Mail: info@dometic.fi

(I) Dometic Italy S.p.A.
Via Virgilio, 3
I-47100 Forlì
☎ +39 0543 754901
📠 +39 0543 756631
Mail: info@dometicwta.com

(N) Dometic Norway AS
Skolmar 24
N-3232 Sandefjord
☎ +47 33428450
📠 +47 33428459
Mail: firmapost@waeco.no

(NL) Dometic Benelux B.V.
Ecustraat 3
NL-4879 NP Etten-Leur
☎ +31 76 5029000
📠 +31 76 5029090
Mail: info@dometic.nl

(S) Dometic Scandinavia AB
Gustaf Melins gata 7
S-42131 Västra Frölunda
(Göteborg)
☎ +46 31 7341100
📠 +46 31 7341101
Mail: info@waeco.se

(UK) Dometic UK Ltd.
Dometic House · The Brewery
Blandford St. Mary
Dorset DT11 9LS
☎ +44 844 626 0133
📠 +44 844 626 0143
Mail: sales@waeco.co.uk

Overseas + Middle East

(AUS) WAECO Pacific Pty. Ltd.
1 John Duncan Court
Varsity Lakes QLD 4227
☎ +61 7 55076000
📠 +61 7 55076001
Mail: sales@waeco.com.au

(HK) WAECO Impex Ltd.
Suites 2207-2211,22/F,Tower1,
The Gateway · 25 Canton Road
Tsim Sha Tsui · Kowloon
Hong Kong
☎ +852 24611386
📠 +852 24665553
Mail: info@waeco.com.hk

(ROC) WAECO Impex Ltd.
Taipei Office
2 FL-3 · No. 56 Tunhua South Rd, Sec 2
Taipei 106, Taiwan
☎ +886 2 27014090
📠 +886 2 27060119
Mail: marketing@waeco.com.tw

(UAE) WAECO Middle East FZCO
R/A 8, SD 6
Jebel Ali, Dubai
☎ +971 4 8833858
📠 +971 4 8833868
Mail: waeco@emirates.net.ae

(USA) North America
Dometic Corporation
2320 Industrial Parkway
Elkhart IN 46515
☎ +574 2942511

 www.waeco.com

